

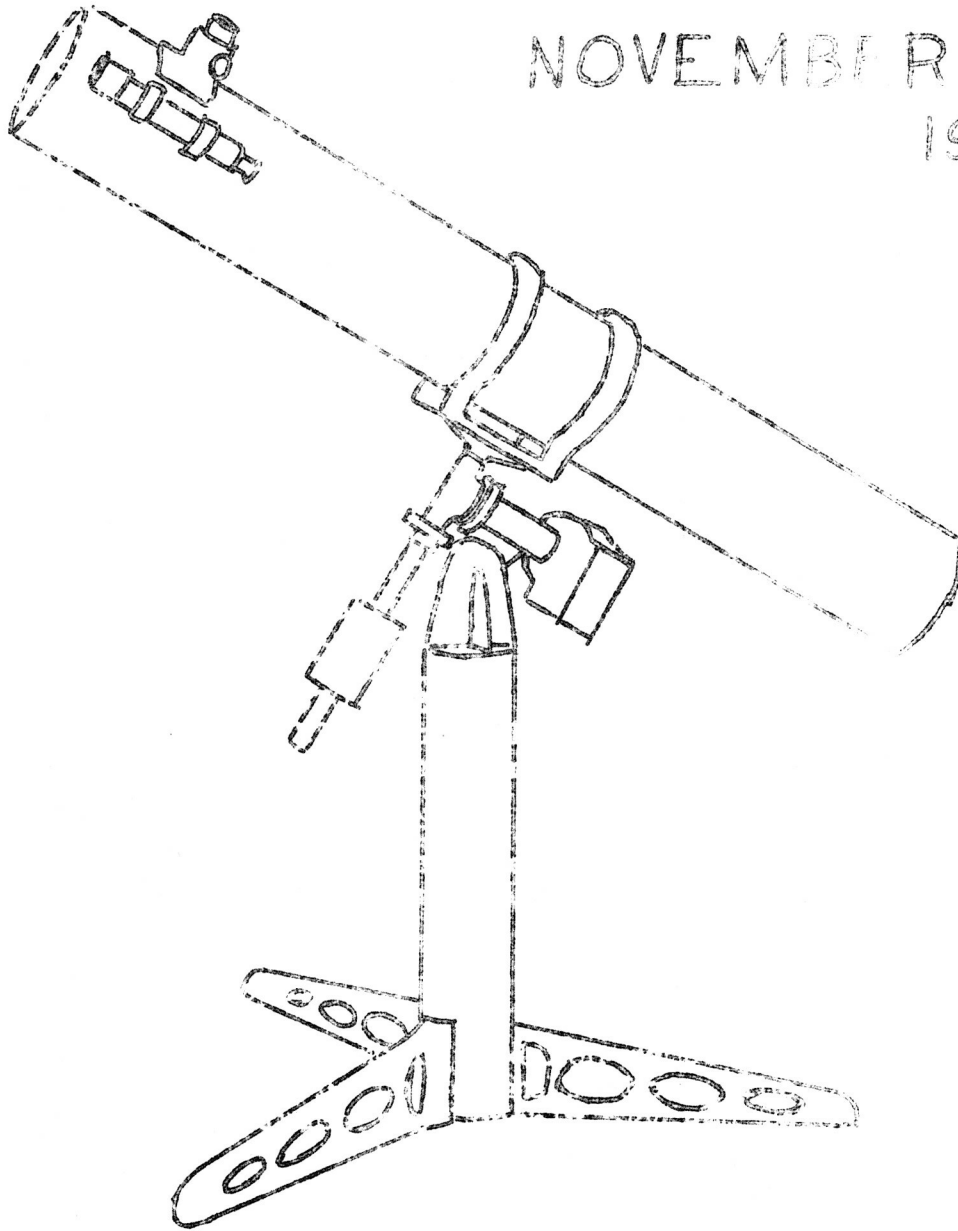
11-67

PAC

THE PRAIRIE ASTRONOMER

VOL. 1 NO. 5

NOVEMBER 28,
1967



* * * * *

There are several things that I would like to hit upon in this "editorial". First of all, I would like to print the election results from last month's meeting: Earl Moser was re-elected president unanimously, Larry Stepp was elected vice-president, Jess Williams was re-elected secretary, Rick Johnson was re-elected treasurer, and Scott Coatsworth and I were elected or appointed, I'm not sure which, co-editors of the newsletter and program committee chairmen.

From now on our club should be having more-or-less regular skyshows at Gateway Shopping Center and we will be paid \$50 a night. Since we are getting paid, I feel that more members should make an effort to get out to Gateway, even if they don't have a telescope, because after all its their money that a few of us are earning every month and besides its a lot of fun. Especially if you have your own telescope. It makes you realize how much you really know about astronomy compared to the normal man on the street.

There was quite a bit of interest at the last meeting concerning telescope making groups, but that's as far as it got. I think that there were about nine interested. We are trying to get something going but it is turning out to be harder than anticipated.

-Monte Cole

* * * * *

THE MEETING -NOV. 28

The meeting this month will be held in the Wesleyan Science hall 7:30-9:00. There will be a telescope display put on for the Students of schools who are interested in buying a telescope. As it stands now there will also be movies of the occultation of Saturn, and slides and movies of last month's eclipse. Sounds like a good meeting, see you there!

* * * * *

PRESIDENTS REPORT

Six of our club members made a trip to Sabetha, Kan. on Sunday, November 12th. A very successfull Saturn-Moon graze was observed and photographed. A more detailed account will be eslsewhere in this newsletter.

The regular monthly payment on the telescope is due Dec. 13th. \$60 will have to be raised by that time. Here is an oppertunity for those of you who haven't helped pay for the telescope yet, to take part in the payments of the clubs telescope.

Our next meeting at Wesleyan will be on Nov. 28. We will have a public dispäay of telescopes at this meeting. Bring your telescope if you can. We will also have the films as promised.

THE GRAZING OCCULTATION OF SATURN

Clouds and haze did not completely foil the preparations of many amateurs and professionals on the Nov. 12 graze of Saturn. However, the elaborate cable and microphone system of Harvard Observatory ran into difficulties and as a result, their data was limited.

As for our club, Six members participated in the event, a first of this type for all of us. Earl took a time lapse movie in which every 5 minutes, a blank frame was taken to aid in timing the event. Monte, Rick, and I were taking still pictures, with some degree of success.

The assembly of astronomers met at the National Guard Armory in Sabetha, Kansas, just across the Nebraska-Kansas border. After receiving detailed instructions from such people as David Dunham, we were split into three groups and departed to two different sites, all of which were in the southern section of Nebraska. Among the group were representatives from Yale University, the Naval Observatory, one from Memphis, Tenn. and numerous people from the area, including Astronomical League President Gene Tandy.

The equipment ranged from the naked eye and binoculars to the largest instrument, Rick's 10" reflector. An interesting sidelight, the group from the naval observatory, who were in charge, considered only instruments of 6" or greater aperture as useful in observing.

This was a very rewarding experience, for all of us, and along with this there have been requests for Earls movies, by the Naval Observatory, and other pictures or information by the assistant editor of the Review of Popular astronomy. Thus, After sweating out clouds and haze, we were rewarded with good photographic results, and the satisfaction of viewing this type of event successfully.

-Scott Coatsworth